

SPECIFICATION-OF-INTENT

ISSUED FOR
DEVELOPMENT APPROVAL
COMPRISING OF
PROVISIONAL DEVELOPMENT PLAN CONSENT
PROVISIONAL BUILDING RULES CONSENT

***MISCION PTY LTD**
STRUCTURAL DESIGN

Maitland, South Australia

www.miscion.com.au
examples@miscion.com.au

*also T/A Roy Harrison & Associates

DRAWING INDEX & DOCUMENT STATUS		
DRAWING NUMBER	TITLE	REV
981/SK1	CLADDING TYPES	A
981/SK2	STEEL FRAMING PLAN	A
981/SK3	SECTIONS & ELEVATIONS	A
981/SK4	SECTIONS & ELEVATIONS	A
981/SK5	SECTIONS & ELEVATIONS	A
981/SK6	STEEL FRAMING; DETAILS	A

Example No - 981

November 2001

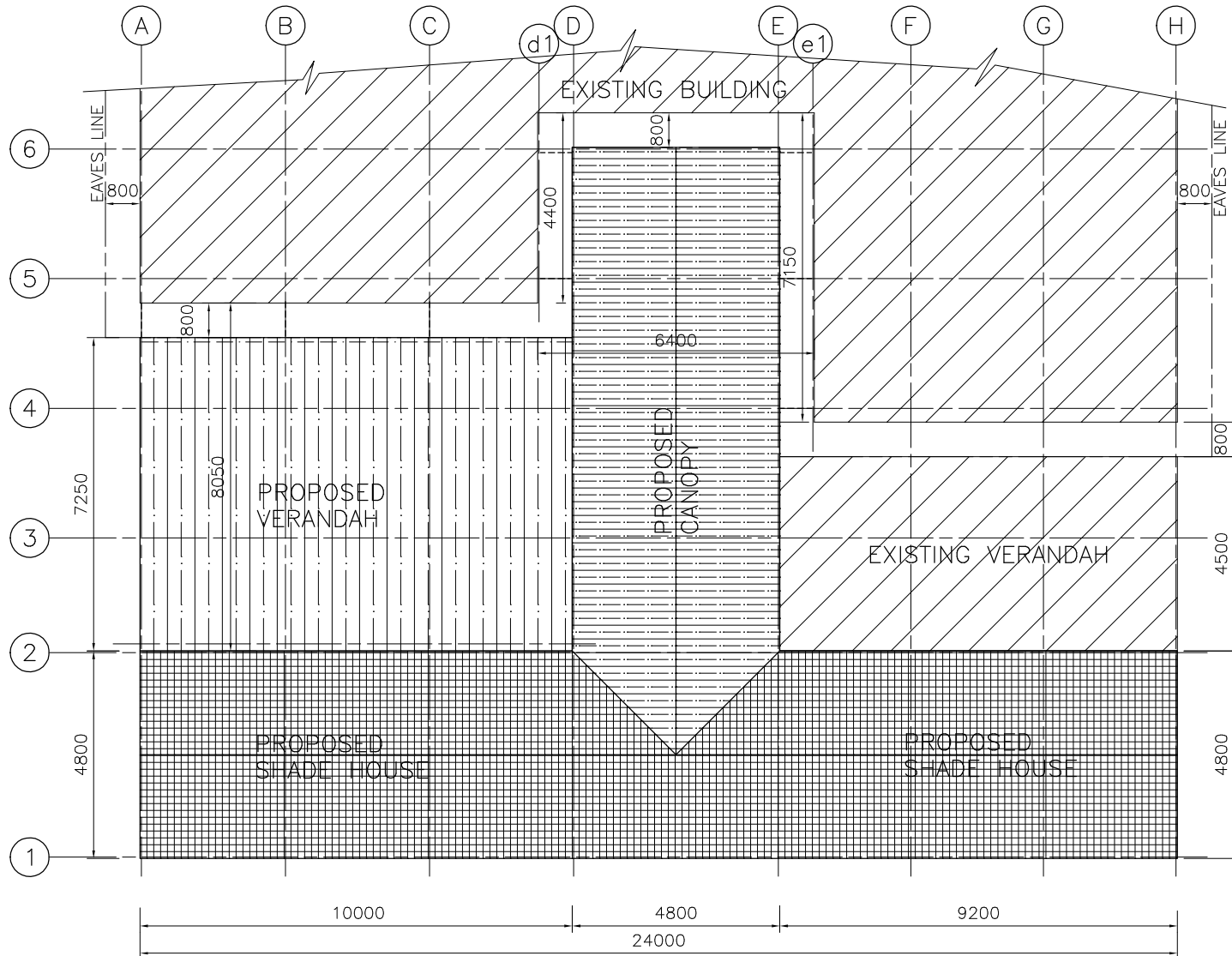
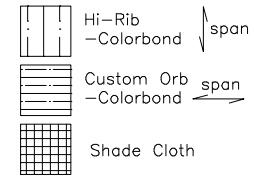
for
Proposed Canopy
VIRGINIA

EXAMPLE

Copyright 2016 MiScion Pty Ltd
For Reference and Study Purposes Only.
www.miscion.com.au
examples@miscion.com.au
9/03/2016

EXAMPLE

Copyright 2016 MiScion Pty Ltd
 For Reference and Study Purposes Only.
 www.miscion.com.au
 examples@miscion.com.au
 9/03/2016



- Unless noted otherwise:
 - All dimensions in mm.
 - All bolts grade 8.8/S.
 - All welds 4mm E48XX continuous fillet weld.
 - All fitments 5mm PIt.
 - PLates grade 250MPa.
 - All bolts M16.

2. All workmanship and materials shall comply with AS4100 & AS4600.

3. All welding to comply with AS1554 Parts 1, 2, and 3.

4. Concrete to Piers 20MPa.

5. All steelwork to be adequately propped and braced during construction until all permanent bracing and cladding has been erected.

6. Self-drilling screws to comply with AS3566.

7. All dimensions to be confirmed on site

Rev .

BUILDING APPROVAL

***MiScion Pty Ltd**
STRUCTURAL DESIGN

www.miscion.com.au
 examples@miscion.com.au

*T/A Roy Harrison & Associates

PROPOSED CANOPIES
 --
VIRGINIA

CLADDING TYPES

DRAWN SCH	
DESIGNED SCH	
CHECKED	ISSUED 22/11/01
SCALE	As shown DO NOT SCALE
SIZE	DRAWING NUMBER
A4	981/SK1
REVISION	
A	

PLAN SHOWING CLADDING TYPES
 1:150

CAD FILE: C981-SK.DWG Thu 22 Nov 01 - 15:13

EXAMPLE

Copyright 2016 MiScion Pty Ltd
 For Reference and Study Purposes Only.
www.miscion.com.au
examples@miscion.com.au
 9/03/2016

CONCRETE FOOTING SCHEDULE

COLUMN C1 & C2
 P1 : ϕ 300 x 1000 DEEP
 COLUMN C3
 P2 : ϕ 300 x 1300 DEEP

SCHEDULE OF STEELWORK

MEMBER	MARK	SIZE
COLUMNS	C1	65 x 65 x 2.5 SHS
	C2	65 x 65 x 4.0 SHS
	C3	125 x 75 x 4.0 RHS
RAFTERS	R1	75x50x3.0 RHS
	R2	75x50x3.0 RHS
BEAMS	B1	125 x 75 x 4.0 RHS
	B2	75x50x2.5 RHS
	B3	125 x 75 x 2.0 RHS
PURLINS		50x50x1.6 SHS

NB: ALL HOLLOW SECTION MEMBERS ARE TO BE DURAGAL GRADE C450LO

FULLY WELDED CONSTRUCTION

- Unless noted otherwise:
 - All dimensions in mm.
 - All bolts grade 8.8/S.
 - All welds 4mm E48XX continuous fillet weld.
 - All fitments 5mm Plt.
 - Plates grade 250MPa.
 - All bolts M16.
- All workmanship and materials shall comply with AS4100 & AS4600.
- All welding to comply with AS1554 Parts 1, 2, and 3.
- Concrete to Piers 20MPa.
- All steelwork to be adequately propped and braced during construction until all permanent bracing and cladding has been erected.
- Self-drilling screws to comply with AS3566.
- All dimensions to be confirmed on site

Rev .

BUILDING APPROVAL

***MiScion Pty Ltd**
STRUCTURAL DESIGN

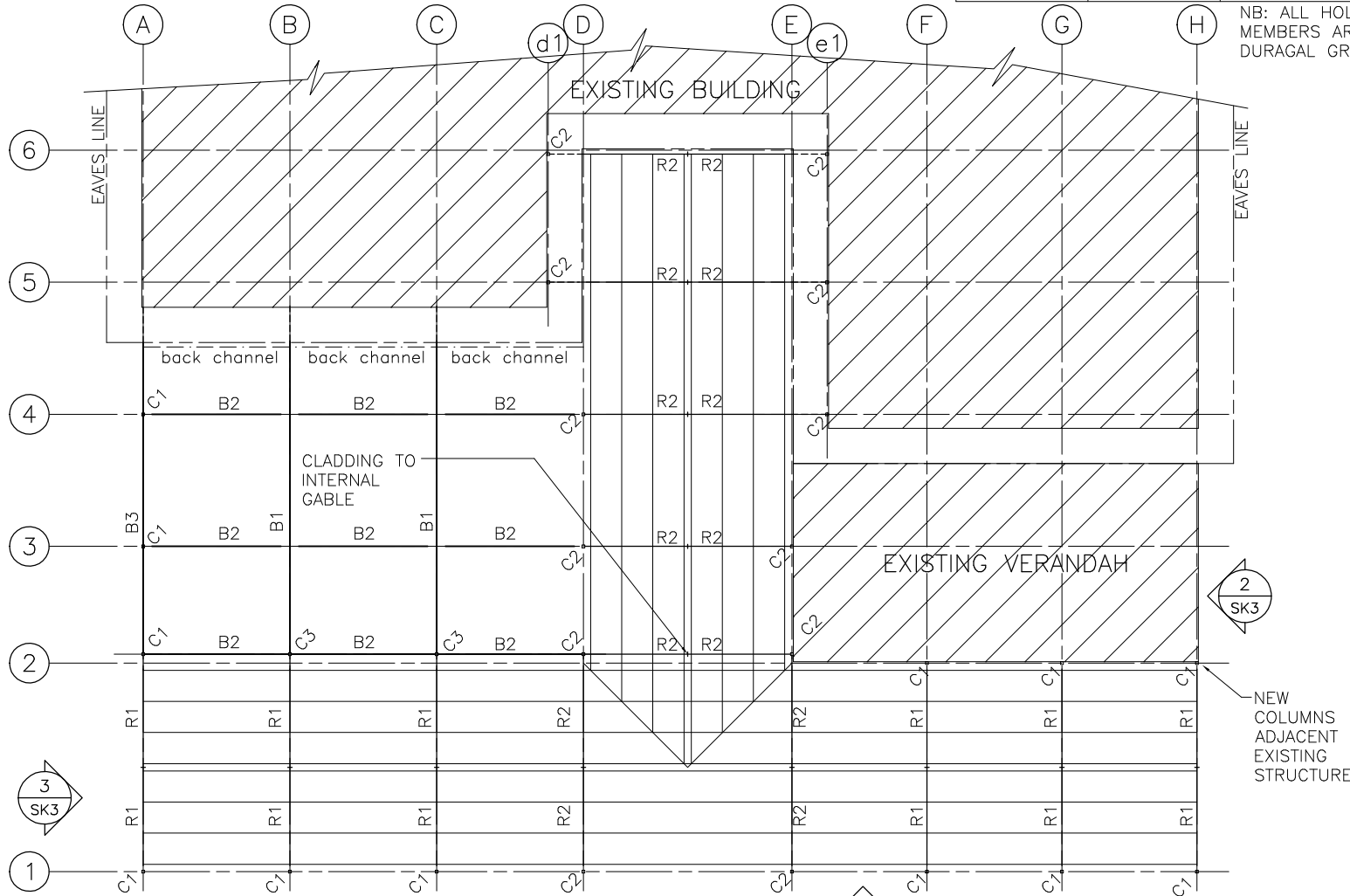
www.miscion.com.au
examples@miscion.com.au

*T/A Roy Harrison & Associates

PROPOSED CANOPIES
 --
VIRGINIA

STEEL FRAMING PLAN

DRAWN SCH	
DESIGNED SCH	
CHECKED	ISSUED 22/11/01
SCALE	As shown DO NOT SCALE
SIZE	DRAWING NUMBER
A4	981/SK2
REVISION	
A	



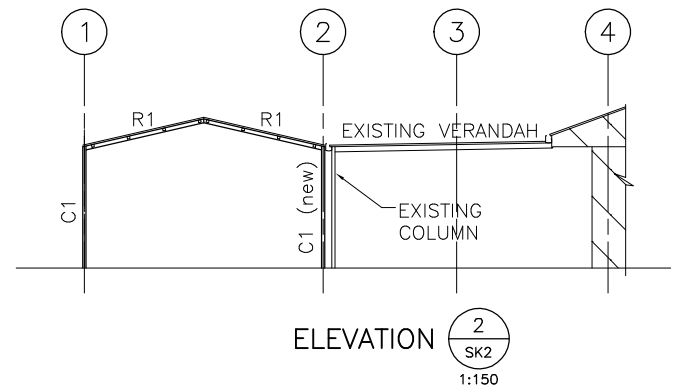
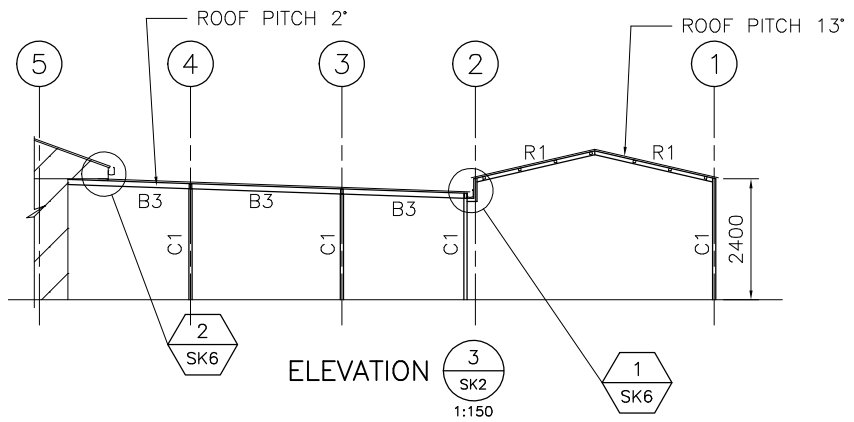
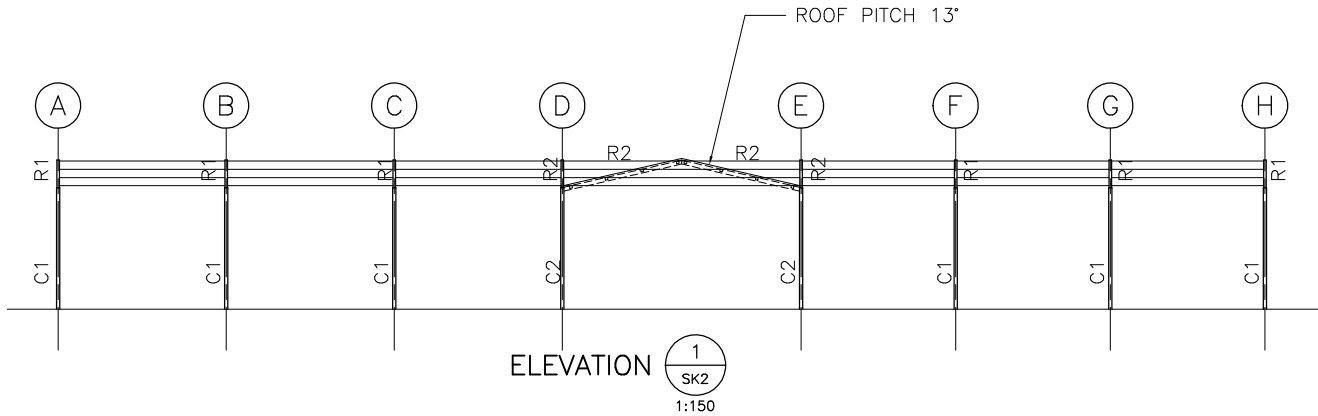
STEEL FRAMING PLAN
 1:150

1 SK3

2 SK3

3 SK3

CAD FILE : C981-SK.DWG Thu 22 Nov 01 - 15:18



1. Unless noted otherwise:
 - . All dimensions in mm.
 - . All bolts grade 8.8/S.
 - . All welds 4mm E48XX continuous fillet weld.
 - . All fitments 5mm Plt.
 - . PLates grade 250MPa.
 - . All bolts M16.
2. All workmanship and materials shall comply with AS4100 & AS4600.
3. All welding to comply with AS1554 Parts 1, 2, and 3.
4. Concrete to Piers 20MPa.
5. All steelwork to be adequately propped and braced during construction until all permanent bracing and cladding has been erected.
6. Self-drilling screws to comply with AS3566.

Rev .

BUILDING APPROVAL
***MiScion Pty Ltd**
STRUCTURAL DESIGN
 www.miscion.com.au
 examples@miscion.com.au
 *T/A Roy Harrison & Associates
PROPOSED CANOPIES
 --
VIRGINIA
STEEL FRAMING
SECTIONS & ELEVATIONS

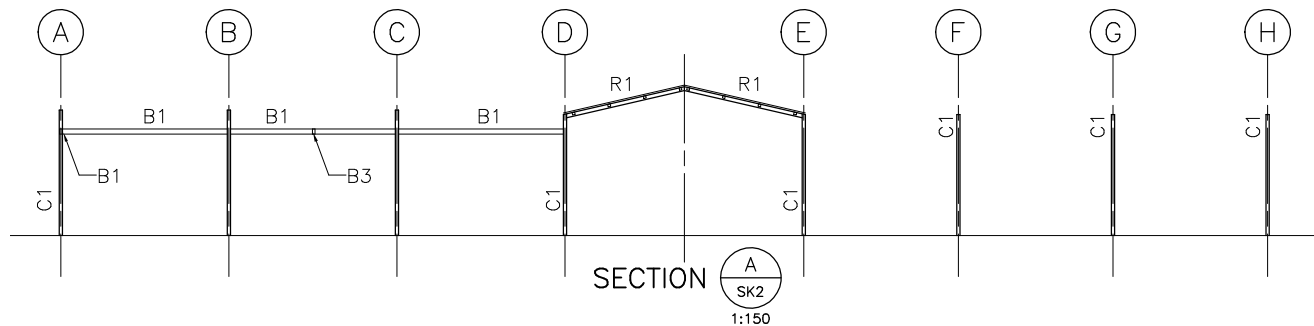
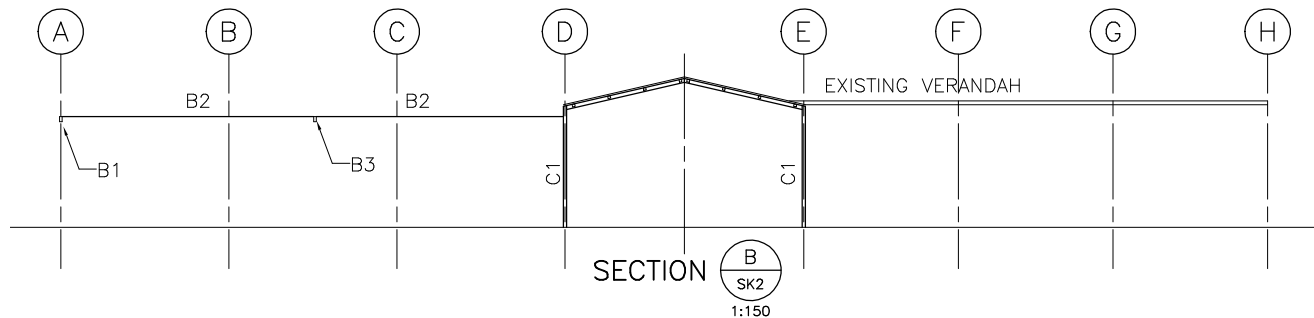
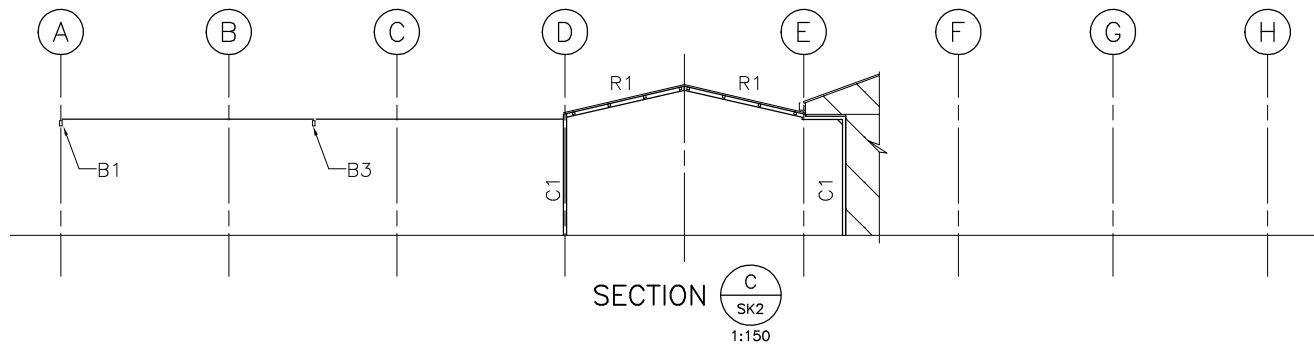
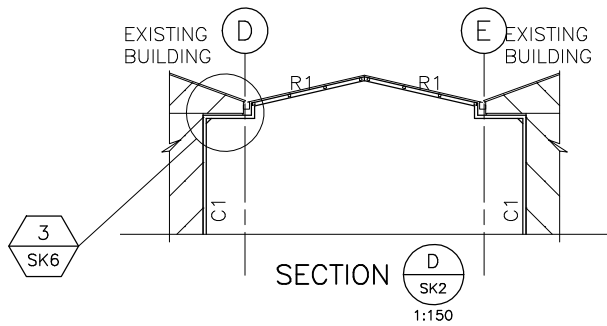
DRAWN SCH	
DESIGNED SCH	
CHECKED	ISSUED 22/11/01
SCALE	As shown DO NOT SCALE
SIZE A4	DRAWING NUMBER 981/SK3
REVISION	

EXAMPLE

Copyright 2016 MiScion Pty Ltd
 For Reference and Study Purposes Only.
 www.miscion.com.au
 examples@miscion.com.au
 9/03/2016

EXAMPLE

Copyright 2016 MiScion Pty Ltd
 For Reference and Study Purposes Only.
www.miscion.com.au
examples@miscion.com.au
 9/03/2016



1. Unless noted otherwise:
 - . All dimensions in mm.
 - . All bolts grade 8.8/S.
 - . All welds 4mm E48XX continuous fillet weld.
 - . All fitments 5mm Plt.
 - . PLates grade 250MPa.
 - . All bolts M16.
2. All workmanship and materials shall comply with AS4100 & AS4600.
3. All welding to comply with AS1554 Parts 1, 2, and 3.
4. Concrete to Piers 20MPa.
5. All steelwork to be adequately propped and braced during construction until all permanent bracing and cladding has been erected.
6. Self-drilling screws to comply with AS3566.

Rev .

NOT FOR CONSTRUCTION

***MiScion Pty Ltd**
STRUCTURAL DESIGN

www.miscion.com.au
examples@miscion.com.au

*T/A Roy Harrison & Associates

PROPOSED CANOPIES
 --
VIRGINIA

STEEL FRAMING
SECTIONS & ELEVATIONS

DRAWN SCH

DESIGNED SCH

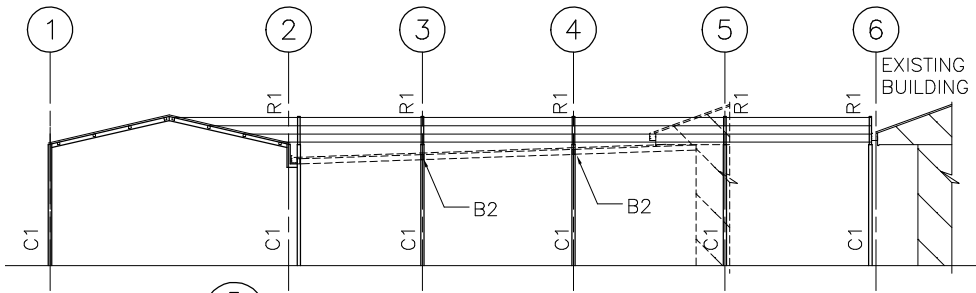
CHECKED ISSUED 22/10/01

SCALE As shown DO NOT SCALE

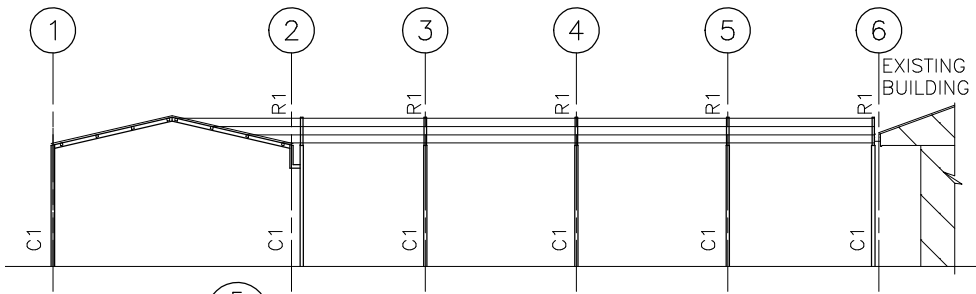
SIZE	DRAWING NUMBER	REVISION
A4	981/SK4	

TO VERIFY DESIGN
CONCEPT ONLY

CAD FILE: C981-SK.DWG Mon 22 Oct 01 - 11:47



SECTION E
SK2
1:150



SECTION F
SK2
1:150

1. Unless noted otherwise:
 - . All dimensions in mm.
 - . All bolts grade 8.8/S.
 - . All welds 4mm E48XX continuous fillet weld.
 - . All fitments 5mm Plt.
 - . PLates grade 250MPa.
 - . All bolts M16.
2. All workmanship and materials shall comply with AS4100 & AS4600.
3. All welding to comply with AS1554 Parts 1, 2, and 3.
4. Concrete to Piers 20MPa.
5. All steelwork to be adequately propped and braced during construction until all permanent bracing and cladding has been erected.
6. Self-drilling screws to comply with AS3566.

Rev .

NOT FOR CONSTRUCTION

***MiScion Pty Ltd**
STRUCTURAL DESIGN

www.miscion.com.au
examples@miscion.com.au

*T/A Roy Harrison & Associates

PROPOSED CANOPIES
--
VIRGINIA

STEEL FRAMING
SECTIONS & ELEVATIONS

DRAWN SCH

DESIGNED SCH

CHECKED ISSUED 22/10/01

SCALE As shown DO NOT SCALE

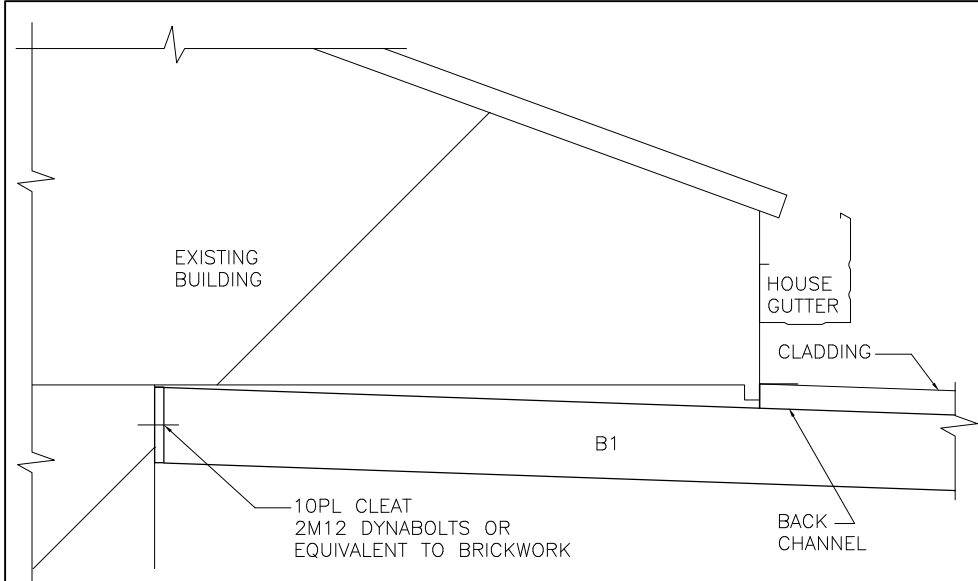
SIZE DRAWING NUMBER REVISION

A4 981/SK5

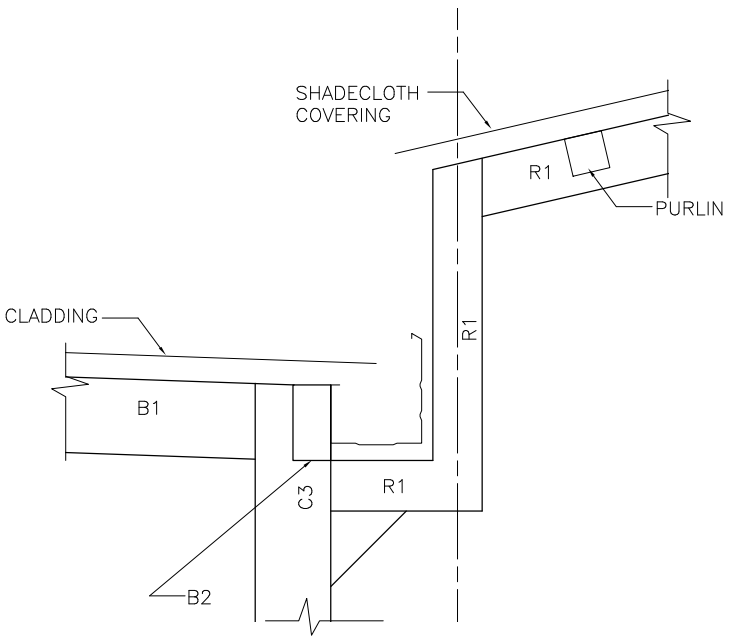
TO VERIFY DESIGN
CONCEPT ONLY

EXAMPLE

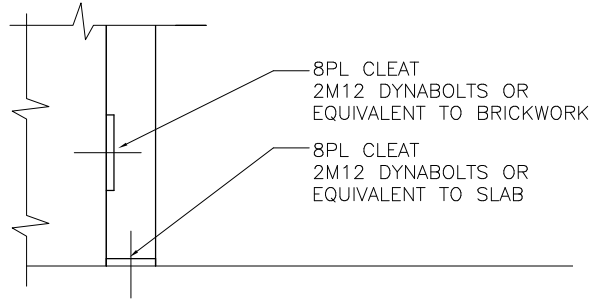
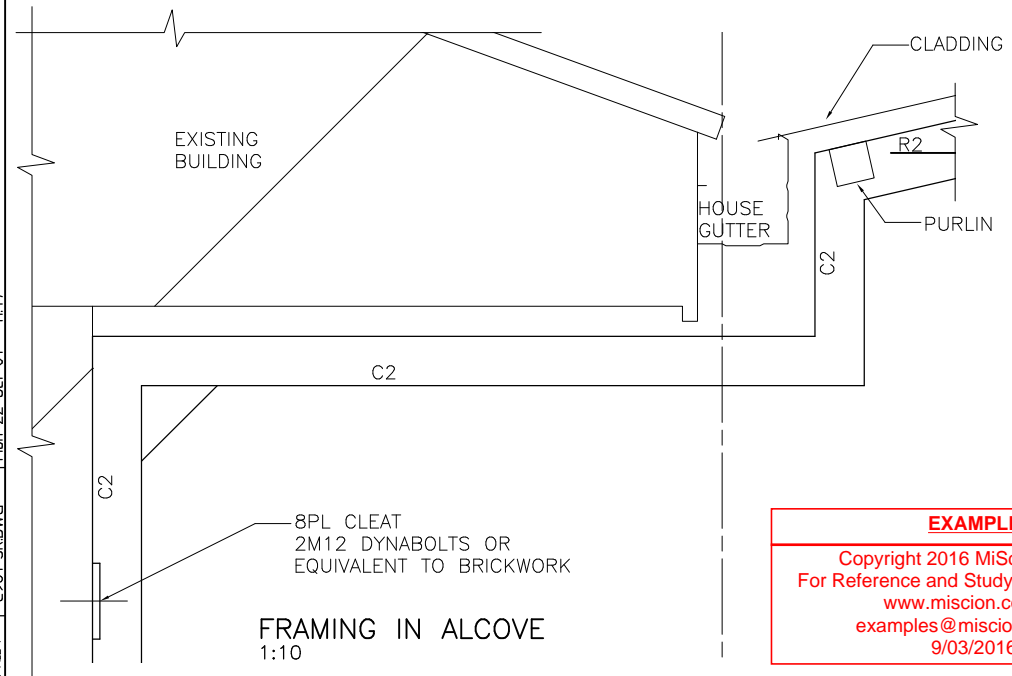
Copyright 2016 MiScion Pty Ltd
For Reference and Study Purposes Only.
www.miscion.com.au
examples@miscion.com.au
9/03/2016



DETAIL 2
SK3
1:10



DETAIL 1
SK3
1:10 FULLY WELDED CONSTRUCTION:
1) RAFTER TO COLUMN
2) BEAM TO COLUMN
3) PURLIN TO RAFTER



BASE OF COLUMN IN ALCOVE
1:10

EXAMPLE
Copyright 2016 MiScion Pty Ltd
For Reference and Study Purposes Only.
www.miscion.com.au
examples@miscion.com.au
9/03/2016

1. Unless noted otherwise:
 - . All dimensions in mm.
 - . All bolts grade 8.8/S.
 - . All welds 4mm E48XX continuous fillet weld.
 - . All fitments 5mm Plt.
 - . PLates grade 250MPa.
 - . All bolts M16.
2. All workmanship and materials shall comply with AS4100 & AS4600.
3. All welding to comply with AS1554 Parts 1, 2, and 3.
4. Concrete to Piers 20MPa.
5. All steelwork to be adequately propped and braced during construction until all permanent bracing and cladding has been erected.
6. Self-drilling screws to comply with AS3566.

Rev .

BUILDING APPROVAL		
*MiScion Pty Ltd STRUCTURAL DESIGN		
www.miscion.com.au examples@miscion.com.au		
*T/A Roy Harrison & Associates		
PROPOSED CANOPIES -- VIRGINIA		
STEEL FRAMING DETAILS		
DRAWN	SCH	
DESIGNED	SCH	
CHECKED	ISSUED	22/10/01
SCALE	As shown	DO NOT SCALE
SIZE	DRAWING NUMBER	REVISION
A4	981/SK6	A

CAD FILE: C981-SK.DWG Mon 22 Oct 01 - 11:47