

SPECIFICATION-OF-INTENT

ISSUED FOR
DEVELOPMENT APPROVAL
COMPRISING OF
PROVISIONAL DEVELOPMENT PLAN CONSENT
PROVISIONAL BUILDING RULES CONSENT

***MISCION PTY LTD**

STRUCTURAL DESIGN

Maitland, South Australia

www.miscion.com.au

examples@miscion.com.au

*also T/A Roy Harrison & Associates

Example No - 1783/B

November 2005

for
PROPOSED CANOPY
Craigmore

EXAMPLE

Copyright 2016 MiScion Pty Ltd
For Reference and Study Purposes Only.
www.miscion.com.au
examples@miscion.com.au
9/03/2016

DRAWING INDEX & DOCUMENT STATUS

SPECIFICATION—OF—INTENT

NOTES
1) S/S = superseded document.

DRAWING NUMBER	TITLE	DOCUMENT REVISION ASSOCIATED WITH (RoV)																RECORD OF VARIANCE (RoV)	
		0	1	2	3														No.
1783/G00	GENERAL DRAWING INDEX	A			B													0	Original Design Concept.
1783/G01	GENERAL NOTES (1)	A	B															1	Replaced by alternative general notes sheets more suitable for timber canopies.
1783/G02	GENERAL NOTES (2)		B															2	Revised to meet engineering assessment of existing house structure.
1783/G03	GENERAL NOTES (3)		B															3	Corrected some cross-referencing errors and some other minor drafting defects.
1783/G02	CONCRETE NOTES	A	S/S																
1783/G03	STEEL NOTES	A	S/S																
1783/S01	STRUCTURAL MATERIAL SCHEDULE	-- not used --																	
1783/S01	SITE PLAN	A																	
1783/S02	FOOTING LAYOUT	A			B														
1783/S03	FRAMING PLAN	A		B															
1783/S04	ELEVATIONS (1)	A																	
1783/S05	ELEVATIONS (2)	A			B														

Development Approval

***MiScion Pty Ltd**
STRUCTURAL DESIGN

www.miscion.com.au
examples@miscion.com.au

*T/A Roy Harrison & Associates

Proposed Canopy

--
Craigmore
--

STRUCTURAL
DRAWING INDEX

DRAWN LJS/SCH

DESIGNED SCH

CHECKED

SCALE as shown DO NOT SCALE

SIZE	DRAWING NUMBER	REVISION
A4	1783/G00	B

EXAMPLE

Copyright 2016 MiScion Pty Ltd
For Reference and Study Purposes Only.
www.miscion.com.au
examples@miscion.com.au
9/03/2016

CAD FILE : c:\1783\General\dwg\ Wed 23 Nov 2005 10:19

GENERAL

1. The builder shall ensure that the process of construction is supervised by an appropriately qualified person.
2. The Building Code of Australia (BCA) is adopted as the primary reference specification for objective, function and performance.
3. The South Australian Housing Code (SAHC) is adopted as a specification of acceptable product and process unless noted otherwise.
4. The project specific specification-of-intent comprises of the documents listed on the cover sheet.
5. This project specification takes precedence over the BCA and the SAHC unless the BCA imposes higher levels of performance.
6. The scope of the SAHC is extended to the BCA class of the current building project subject to:
 - a) The SAHC shall not be used for the sizing of Structural members
7. All materials and workmanship shall be in accordance with the latest editions of the relevant Australian codes unless noted otherwise (uno).
8. The structural drawings shall be read in conjunction with these Construction Notes and associated drawings, and with such other written instructions as may be issued by the Engineer, during the course of construction.
9. All dimensions in millimetres(mm) unless noted otherwise.
10. The Contractor shall verify setting out dimensions shown on the drawings by measurement on site.
11. The structure has been designed to meet the requirements of the Code or Standard relevant to the facility in its in-service condition. During construction and prior to hand-over the Contractor shall, at all time, ensure that the structure is protected from over-stressing and instability due to any causes whatsoever.
12. Details of component parts of each structure are typical only. Where items are not detailed the contractor or fabricator shall use similar methods to those shown on the drawings.
13. The contractor shall provide all cleats and holes for fixing to steel, timber and other components as required by the engineering and architectural drawings whether or not shown.
14. All beams shall be fabricated and installed with natural camber up.
15. The quality characteristics of all materials and components used shall be verifiable against this specification upon request.

BASIS OF DESIGN

1. Structure Importance Level : 2 (Normal)
2. Design wind loading as noted on framing plans.
3. Design live loading : Roof = 0.25 kPa
4. A maximum allowable bearing pressure of 100kPa has been assumed.
5. Footings shall be placed centrally under walls and columns uno.
6. All variations from the design specification to be referred to the design engineer for approval before proceeding.

STRUCTURAL CONCRETE

1. Concrete quality shall be as tabulated, and verifiable

Concrete Element	Exposure Class'n	Class/ Grade	Slump mm	Aggregate Size mm	Cement Type
Footing Piers & Pads	A2	N20	80	20	GP

STRUCTURAL STEELWORK

1. All shop and field welds shall be classification General-Purpose (GP) uno.
2. Continuous fillet weld (CFW) shall be the lesser of: – 3mm or the thickness of the thinner element joined.
3. Butt welds shall be complete penetration(CPBW) type.
4. Bolt designation: 4.6/S refer to commercial bolts grade 4.6, tightened using a standard wrench to a snug-tight condition.
5. All bolts shall be 4.6/S uno.
6. Bolts in slotted holes shall be "finger tight" and supplied with lock nuts.
7. Seal weld a 3mm plate to the ends of all hollow sections uno.
8. All damage to protective coatings as a result of transport, welding or other building operations shall be repaired in accordance with relevant codes as approved.
9. Welds to cold-formed sections shall be continuous fillet M.I.G. welds of a size equal to the thinnest section of the material joined, wire brushed and coated with zinc silicate paint.
10. Surface treatment and coating:

Element	Surface Treatment	Treatment or Coating
All steel fitments including Hold Down Bolts, Nuts & Washers, Cast-in steel items, external steelwork walkways & Hand-railing	. . Chemical Treatment Hot Dip Galvanising
All other steelwork	Grit blast to near white metal finish	Inorganic Zinc Silicate with average thickness 85 microns

SPECIFICATION-OF-INTENT

Development Approval

***MiScion Pty Ltd**
STRUCTURAL DESIGN

www.miscion.com.au
examples@miscion.com.au

*T/A Roy Harrison & Associates

Proposed Canopy

--
Craigmore
--

STRUCTURAL
GENERAL NOTES (1)

DRAWN SCH

DESIGNED SCH

CHECKED

SCALE as shown DO NOT SCALE

SIZE	DRAWING NUMBER	REVISION
A4	1783/G01	B

EXAMPLE
Copyright 2016 MiScion Pty Ltd
For Reference and Study Purposes Only.
www.miscion.com.au
examples@miscion.com.au
9/03/2016

CAD FILE : C:\1783\General.dwg Wed 23 Nov 05 - 12:12

STRUCTURAL TIMBER

1. Items not explicitly described are to be to the requirements of AS1720 and AS1684.2 and the TDA construction guide for Carports, Verandahs & Pergolas.
2. Vertical Nail lamination to increase breadth of members to AS1684.2 clause 2.3
3. Posts and Rafters shall not be spliced.
4. Roof Battens shall be continuous spanned, and spliced to AS1684.2 clause 7.2.20
5. Ridge boards spliced in accordance with AS1684.2 clause 7.2.12.2
6. Fascia beams spliced at post supports.
7. Structural form is a collar-tied roof truss, therefore collar ties required to all rafters, placed at 1/3 of the rise above fascia support.
8. Post anchorage:
 - a) Steel posts cast into concrete pier: embedment the lesser of full depth of pier less 100mm or 450mm embedment.
 - b) Timber posts: two Pryda PSQ600 post supports per post (Free Standing canopy)
 - c) Timber posts: one Pryda PSQ600 post support per post (attached canopy). Refer TDA guide Figure 3 for orientation.
 - d) Timber posts: one stirrup post support per post with knee braces to corners of canopy. Refer TDA guide page 4.

CONNECTION SCHEDULE

JOINT	Canopy width less than 4.2m	Canopy width greater than 4.2m but less than 7.2m
Post/Fascia Beam	2 M10-4.6/S Bolts + ϕ 22.5 washers	2 M12-4.6/S Bolts + ϕ 22.5 washers
Fascia/Rafter	a) 5/ ϕ 2.8 Nails each side of rafter b) Joist Hanger to Rafter : 5/ ϕ 2.8 Nails each side of rafter and Joist Hanger to Fascia: 5/ ϕ 2.8 Nails each side of rafter	2 No. 14 Type 17 wood screws.
Rafter/Ridge	5/ ϕ 2.8 Nails each side of rafter and 32x0.8 steel Strap over ridge with 6/ ϕ 2.8 flat head Nails each end.	2 No. 14 Type 17 wood screws. + 90x45 MGP10 Ridge Collar, with 1M10 bolt + ϕ 22.5 washers each end.
Collar-Tie/Rafter	2M10 bolts + ϕ 22.5 washers each end for canopy spans less than 3m, increase to 3M10 bolts for canopy spans greater than 3m.	3M10 bolts + ϕ 22.5 washers each end
Roof Batten/Rafter	1 No. 14 Type 17 Bugle Head Screw, 50mm penetration. (min. length 95mm)	

SPECIFICATION-OF-INTENT

Development Approval

***MiScion Pty Ltd**
STRUCTURAL DESIGN

www.miscion.com.au
examples@miscion.com.au

*T/A Roy Harrison & Associates

Proposed Canopy

--
Craigmore
--

**STRUCTURAL
GENERAL NOTES (2)**

DRAWN SCH

DESIGNED SCH

CHECKED

SCALE as shown DO NOT SCALE

SIZE	DRAWING NUMBER	REVISION
A4	1783/G02	B

EXAMPLE
Copyright 2016 MiScion Pty Ltd
For Reference and Study Purposes Only.
www.miscion.com.au
examples@miscion.com.au
9/03/2016

ATTACHMENT OF CANOPY TO EXISTING STRUCTURE

1. Beams not to overhang connection brackets, unless beams and house structure designed to suit.
2. Canopy Dimension to be a whole number multiple of the rafter spacing.
3. Extenda Brackets: Brackets to be fastened to rafter directly above house wall framing, else rafter stiffening to be provided.
4. Long Pergola brackets: Brackets not to extend beyond house fascia more than 150mm.
5. Joist hangers: Fascia to rafter connection to be strengthened using Pryda Fascia support bracket.
6. Fabricated brackets as detailed to achieve full support of canopy at beam ends, and house corners.
7. Posts to be provided at hip corners unless noted otherwise.

CONNECTION BRACKETS

BRACKET TYPE	DESCRIPTION
Type-1	Long Pergola Brackets: (UFB or similar) (Ex. 50x5 FL G300 Steel, 4M10 bolts to house rafter, 4M10 bolts to canopy fascia)
Type-2	Fabricated bracket: (Ex. 50x50x2 SHS C450LO + 50x5 FL end plates bolted to fascia beam with 2M10 bolts.)

STRENGTHENING OF EXISTING STRUCTURE

1. Minimum house structure:
 - a) Rafters : 120x35 F5 not notched more than 40mm (Not greater than 600 c/c for tiled roof, not greater than 1200 c/c for sheet roof)
 - b) Hip Rafters 170x35 F5
 - c) Fascia : 190 x 19
2. Rafter Stiffener to all rafters supporting connection brackets. Minimum length of stiffener as specified or full length of rafter, which ever is the lesser. Timber stiffeners fixed to rafters with 2/ ø3.06 x 75 long nails at 150 centres. Rafter Backspan support connection to be strengthened with 1/30x0.8 steel strap AS1684.2-1999 Table 9.22, detail (b) unless bolted connection present.
3. Tie-downs to all rafters supporting connection brackets, exceptions as noted.
4. For openings upto 2.7m wide install Prydabeam PB1.6 z-section. Beam to extend to first stud each side of opening, fasten to manufacturers instructions. Install Type-4 tie-downs to each end of lintel, anchor point to be centre of 1.2m width of brickwork. Ensure 2.4m width of brickwork between adjacent openings. Each rafter to be attached to lintel using Type-1 tiedowns.
5. Multiple rafters maybe tied-down by the use of an over batten (35x70 F7), with Type-4 tie-downs spaced at no more than 2.4m centres, each anchored into 1.2m width of fullheight brickwork. Threaded end of tie-down to pass through batten no more than 50mm from side of rafter support. Each rafter to be strapped to over batten using Type-1 tie-downs.
6. Canopies not to be attached to light weight timber framed construction. Additional posts and piers to be provided adjacent to house.
7. Fascia plates to be bolted to house gable end walls only, using M10 dynabolts at 600 c/c, staggered vertically. Minimum of 2m rise of brick gable end above canopy fascia at location of house ridge, else tie fascia plate to bottom of wall using ø10 steel rods at 2.4m centres.

TIE-DOWN TYPE	DESCRIPTION
Type-1	1/30x0.8 steelstrap over rafter, 1M10 bolt each end to added steelwork.
Type-2	1/30x0.8 steel strap looped around ø10 rod epoxy doweled to brickwork; minimum of 1.2m wide x 12 courses high of brickwork above anchor point. Strap fastened to rafter with 4/ø2.8 nails each end.
Type-3	Duragal angle 30x30x2.5 CA, 1M10 bolt top to rafter, bottom anchored above 2nd course of brickwork from bottom of wall, minimum of 1.2m wide x fullheight brickwork above anchor point free from openings.
Type-4	M10 threaded steel rod, welded to 40x40x2 SHS C350LO tube at lower end. Tube sealed each end with 5 PL end plates. Bottom anchored above 2nd course of brickwork from bottom of wall, minimum of 1.2m wide x fullheight brickwork above anchor point free from openings. Top bolted through bottom flange of added steel z-lintels, or through leg of angles, or through over batten as required.
Type-5	M10 threaded steel rod, with 50 x 5 FL x 75 long each end. End cleats welded with 25mm x 3 Continuous Fillet Weld(cfw). Top bolted through rafter 1M10 bolt, bottom anchored into concrete footing beam using 1M10 dynabolt, min. 38mm embedment. Anchor point to be 100mm clear of all concrete edges.

8. If inadequate brickwork to anchor tie-downs then substitute with Type-5 tiedowns brought down external face of brick work and anchored into footing beam. footing beam to be 600mm deep or greater. Footing Beam 300mm deep acceptable if 900mm height of brick present along the entire length of wall.

9. If neither adequate brickwork or footing beam to anchor into, then canopy is NOT to be attached to house, and additional posts and piers are to be provided.

EXAMPLE

Copyright 2016 MiScion Pty Ltd
 For Reference and Study Purposes Only.
www.miscion.com.au
examples@miscion.com.au
 9/03/2016

SPECIFICATION-OF-INTENT

Development Approval

***MiScion Pty Ltd**
STRUCTURAL DESIGN

www.miscion.com.au
examples@miscion.com.au

*T/A Roy Harrison & Associates

Proposed Canopy

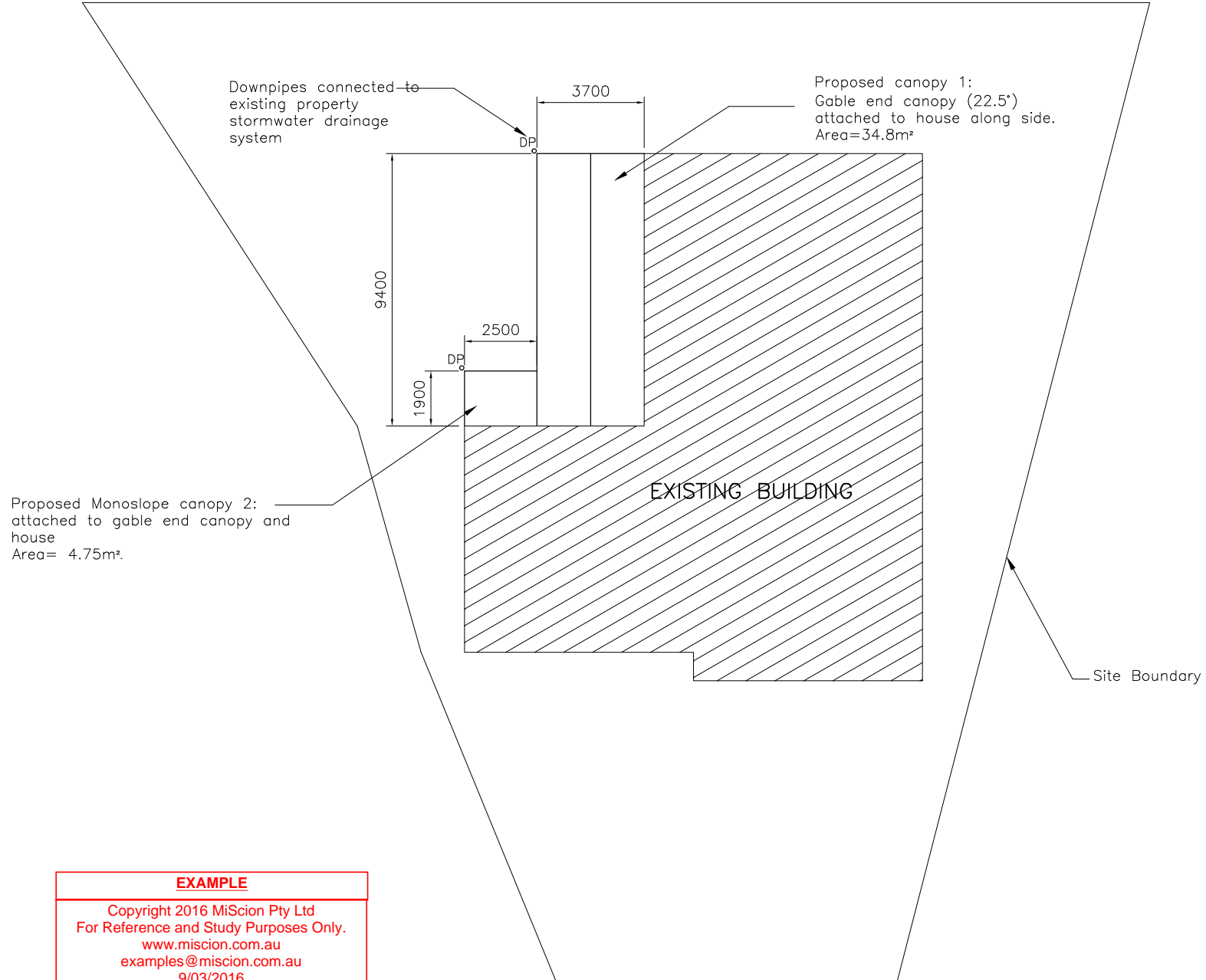
--
 Craigmore
 --

**STRUCTURAL
 GENERAL NOTES (3)**

DRAWN	SCH	
DESIGNED	SCH	
CHECKED		
SCALE	as shown	DO NOT SCALE
SIZE	DRAWING NUMBER	REVISION
A4	1783/G03	B

CAD FILE : C:\783\General\dwg\Wed_23_Nov_05 - 12:19

CAO FILE : c:\783\Struct\dwg Wed 23 Nov 2005 10:19



EXAMPLE

Copyright 2016 MiScion Pty Ltd
For Reference and Study Purposes Only.
www.miscion.com.au
examples@miscion.com.au
9/03/2016

SITE PLAN
1:200

SPECIFICATION-OF-INTENT

NOTES:

Total Area= 39.6m².

Development Approval

***MiScion Pty Ltd**
STRUCTURAL DESIGN

www.miscion.com.au
examples@miscion.com.au

*T/A Roy Harrison & Associates

Proposed Canopy

--
Craigmore
--

STRUCTURAL
SITE PLAN

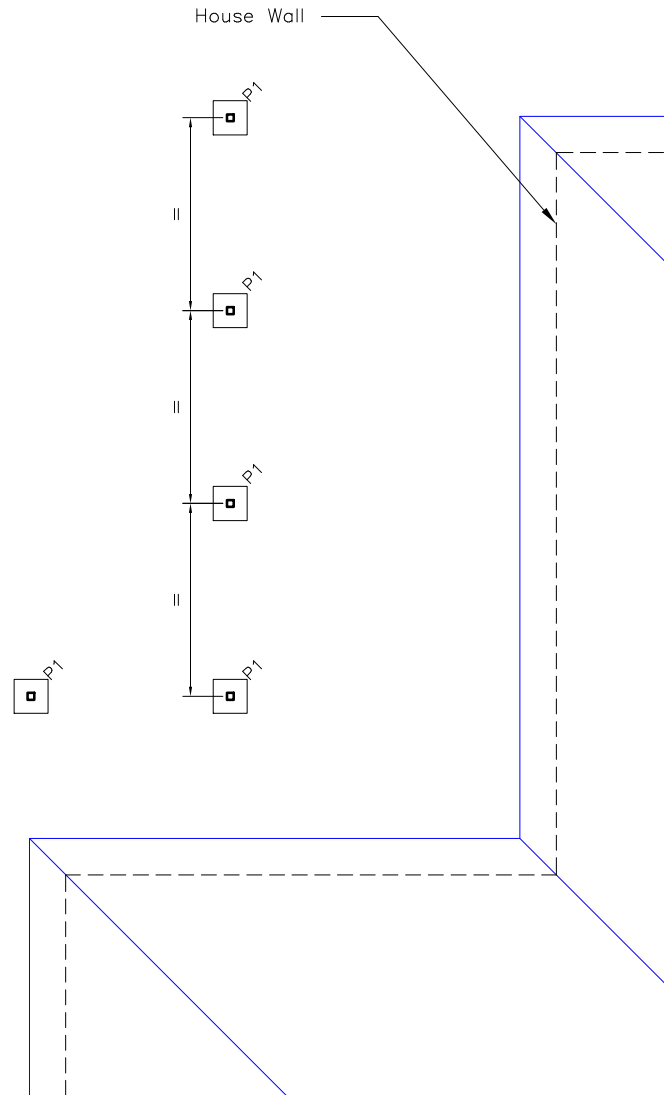
DRAWN LJS

DESIGNED SCH

CHECKED

SCALE as shown DO NOT SCALE

SIZE	DRAWING NUMBER	REVISION
A4	1783/S01	A



FOOTING LAYOUT
1:100

EXAMPLE
Copyright 2016 MiScion Pty Ltd
For Reference and Study Purposes Only.
www.miscion.com.au
examples@miscion.com.au
9/03/2016

CONCRETE FOOTING SCHEDULE	
COLUMN C1	
P1	: 300 x 600 DEEP

Development Approval

***MiScion Pty Ltd**
STRUCTURAL DESIGN

www.miscion.com.au
examples@miscion.com.au

*T/A Roy Harrison & Associates

Proposed Canopy

--
Craigmore
--

STRUCTURAL
FOOTING LAYOUT

DRAWN LJS/SCH

DESIGNED SCH

CHECKED

SCALE as shown DO NOT SCALE

SIZE	DRAWING NUMBER	REVISION
A4	1783/S02	B

SCHEDULE OF MATERIALS (CANOPY)

MEMBER	MARK	SIZE	DWG
POSTS	PS	90 x 90 MGP10	--
FASCIAS	FB1	190 x 45 MGP10	--
	FB2	120 x 45 MGP10	--
RIDGE BOARD	RB	140 x 35 MGP10	--
RAFTERS	RA1	120 x 35 MGP10	--
	RA2	90 x 45 MGP10	--
COLLAR-TIE	CT	70 x 35 MGP10	--
PURLINS	PU	45 x 70 MGP10	--

CANOPY ATTACHMENT & HOUSE STRENGTHENING

MEMBER	MARK	SIZE	DWG
BRACKETS	BK1	Type-1 Refer Dwg G03	
	BK2	Type-2 Refer Dwg G03	
BEAMS	B1	75x50x5 EA G300 (Fasten with 2No. 14 Type 17 screws, spaced vertically, to each wall stud.)	
	B2	50x50x3.0 EA (Fasten with M10 bolts and 50x50x3 EA angle brackets to rafters. Brackets welded to beam using 3 cfw.)	
STIFFENERS	ST1	2/ 90 x 45 MGP10 (1600 LONG)	
	ST2	2/90 x 45 MGP12 (1600 LONG)	
TIE-DOWNS	TD1	Type-4 Refer Dwg G03	
	TD2	Type-1 Refer Dwg G03	
	TD3	Type-3 Refer Dwg G03	

Minimum Sizes for House Frame:
 Rafters : 120 x 35 F5, not notched more than 40mm
 Hip Rafters : 170 x 35 F5
 Fascia : --

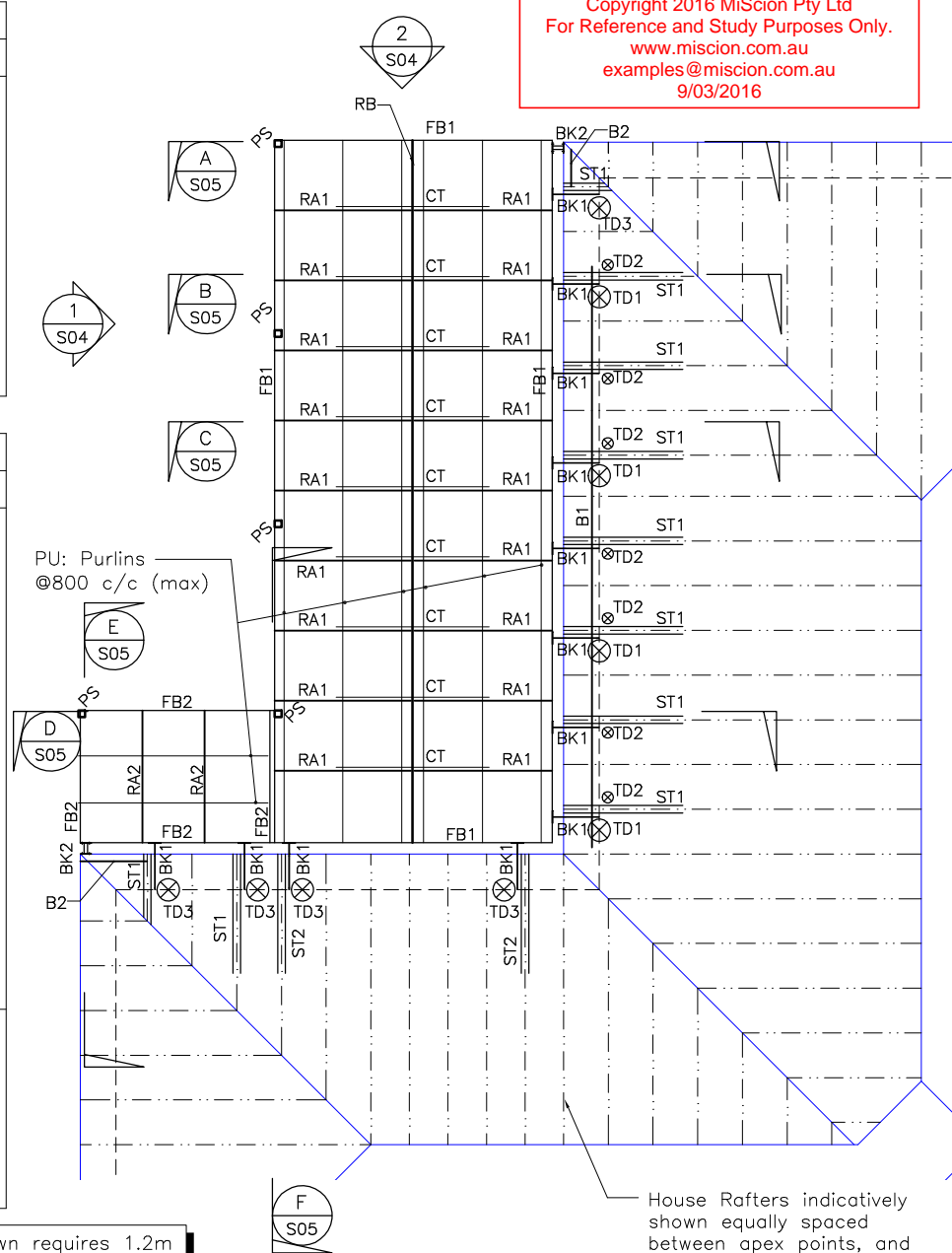
If house frame not compliant with above, canopy is NOT to be attached to the roof structure, and additional posts and piers are to be provided.

WARNING: Roof Cladding Shall NOT be attached to frame until house strengthening has been installed.

WARNING: Each tie-down requires 1.2m width of full height(2.4m) brickwork. Refer Dwg G03.

EXAMPLE

Copyright 2016 MiScion Pty Ltd
 For Reference and Study Purposes Only.
www.miscion.com.au
examples@miscion.com.au
 9/03/2016



FRAMING PLAN
1:100

SPECIFICATION-OF-INTENT

House Construction:
 Walls: Brick Veneer + Timber Frame
 Roof: Timber Frame + Tiles
 Eaves: 24-30 to top of gutter, and 480 wide + metal fascia.
 Stormwater Drainage:
 OG gutters + 100x45 downpipes

Wind Class: N2 (SAHC)

Development Approval

***MiScion Pty Ltd**
STRUCTURAL DESIGN

www.miscion.com.au
examples@miscion.com.au

*T/A Roy Harrison & Associates

Proposed Canopy

--
 Craigmore
 --

STRUCTURAL FRAMING PLAN

DRAWN LJS/SCH

DESIGNED SCH

CHECKED

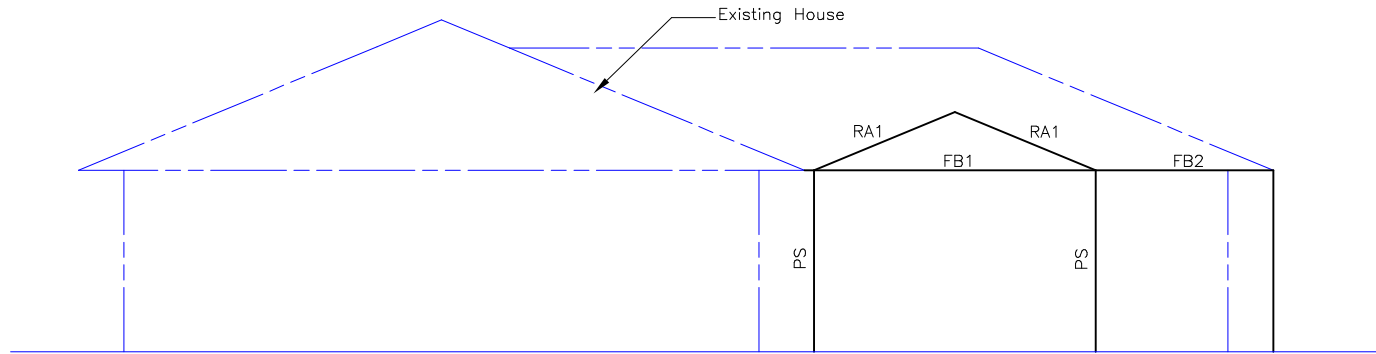
SCALE as shown DO NOT SCALE

SIZE A4

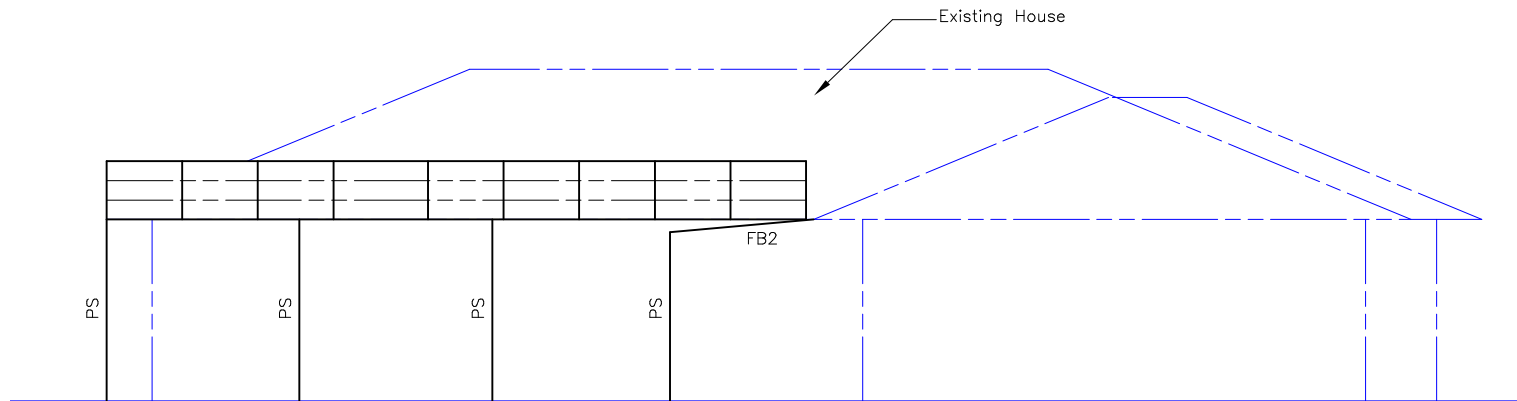
DRAWING NUMBER 1783/S03

REVISION B

CAD FILE : c:\783\Struct\dwg Wed 23 Nov 2005 10:19



ELEVATION 2
S03
1:100



ELEVATION 1
S03
1:100

EXAMPLE

Copyright 2016 MiScion Pty Ltd
For Reference and Study Purposes Only.
www.miscion.com.au
examples@miscion.com.au
9/03/2016

SPECIFICATION-OF-INTENT

Development Approval

***MiScion Pty Ltd**
STRUCTURAL DESIGN

www.miscion.com.au
examples@miscion.com.au

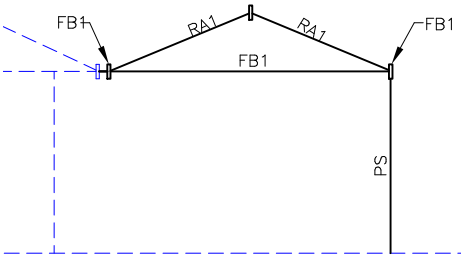
*T/A Roy Harrison & Associates

Proposed Canopy

--
Craigmore
--

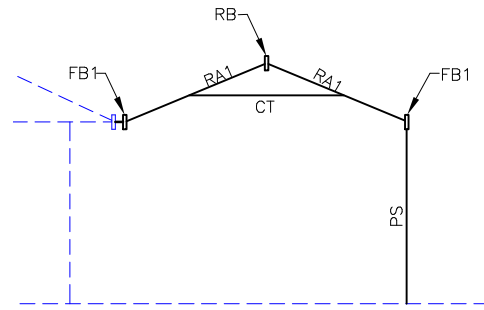
STRUCTURAL
ELEVATIONS (1)

DRAWN	LJS	
DESIGNED	SCH	
CHECKED		
SCALE	as shown	DO NOT SCALE
SIZE	DRAWING NUMBER	REVISION
A4	1783/S04	A



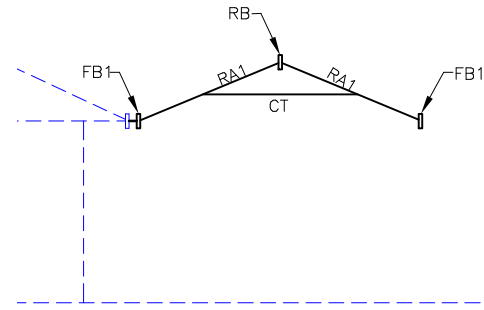
SECTION $\frac{A}{S03}$
1:100

(House in background not shown.)



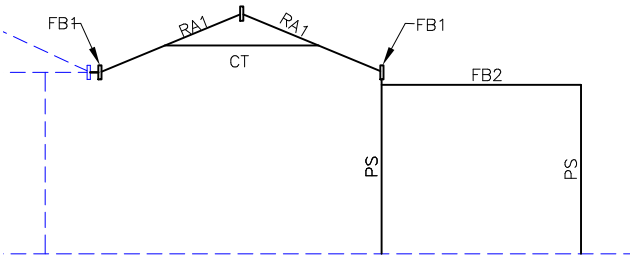
SECTION $\frac{B}{S03}$
1:100

(House in background not shown.)



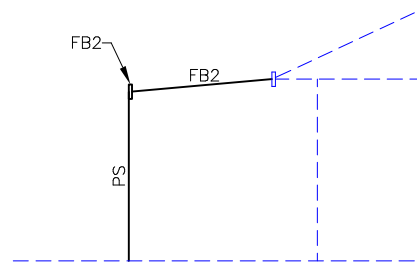
SECTION $\frac{C}{S03}$
1:100

(Columns in background not shown.)
(House in background not shown.)



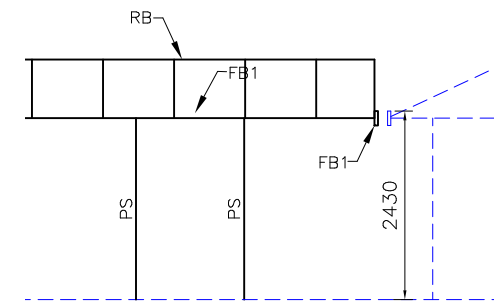
SECTION $\frac{D}{S03}$
1:100

(House in background not shown.)



SECTION $\frac{E}{S03}$
1:100

(House in background not shown.)



SECTION $\frac{F}{S03}$
1:100

(House in background not shown.)

EXAMPLE

Copyright 2016 MiScion Pty Ltd
For Reference and Study Purposes Only.
www.miscion.com.au
examples@miscion.com.au
9/03/2016

Development Approval

***MiScion Pty Ltd**
STRUCTURAL DESIGN

www.miscion.com.au
examples@miscion.com.au

*T/A Roy Harrison & Associates

Proposed Canopy

--
Craigmore

--
STRUCTURAL
ELEVATIONS (2)

DRAWN	LJS/SCH	
DESIGNED	SCH	
CHECKED		
SCALE	as shown	DO NOT SCALE
SIZE	DRAWING NUMBER	REVISION
A4	1783/S05	B