

SPECIFICATION-OF-INTENT

ISSUED FOR
DEVELOPMENT APPROVAL
COMPRISING OF
PROVISIONAL DEVELOPMENT PLAN CONSENT
PROVISIONAL BUILDING RULES CONSENT

***MISCION PTY LTD**

STRUCTURAL DESIGN

Maitland, South Australia

www.miscion.com.au

examples@miscion.com.au

*also T/A Roy Harrison & Associates

Example No - 1798

October 2005

for
PROPOSED CANOPY
West Lakes Shore

EXAMPLE

Copyright 2016 MiScion Pty Ltd
For Reference and Study Purposes Only.
www.miscion.com.au
examples@miscion.com.au
9/03/2016

DRAWING INDEX & DOCUMENT STATUS

SPECIFICATION—OF—INTENT

NOTES
1) S/S = superseded document.

DRAWING NUMBER	TITLE	DOCUMENT REVISION ASSOCIATED WITH (RoV)										RECORD OF VARIANCE (RoV)		
		0	1	2	3	4	5	6	7	8	9	No.	DESCRIPTION OF VARIANCE	
1798/G00	GENERAL DRAWING INDEX	A											0	Original Design Concept.
1798/G01	GENERAL NOTES (1)	A												
1798/G02	GENERAL NOTES (2)	A												
1798/S01	STRUCTURAL SITE PLAN	A												
1798/S02	FOOTING PLAN	A												
1798/S03	FRAMING PLAN	A												
1798/S04	ELEVATIONS	A												

Development Approval

***MiScion Pty Ltd**
STRUCTURAL DESIGN

www.miscion.com.au
examples@miscion.com.au

*T/A Roy Harrison & Associates

Proposed Canopy
--
West Lakes Shore
--
STRUCTURAL
DRAWING INDEX

DRAWN LJS

DESIGNED LJS

CHECKED

SCALE as shown DO NOT SCALE

SIZE	DRAWING NUMBER	REVISION
A4	1798/G00	A

EXAMPLE

Copyright 2016 MiScion Pty Ltd
For Reference and Study Purposes Only.
www.miscion.com.au
examples@miscion.com.au
9/03/2016

CAD FILE : c:\1798\general.dwg | Wed 12 Oct 2005 14:48

GENERAL

1. The builder shall ensure that the process of construction is supervised by an appropriately qualified person.
2. The Building Code of Australia (BCA) is adopted as the primary reference specification for objective, function and performance.
3. The South Australian Housing Code (SAHC) is adopted as a specification of acceptable product and process unless noted otherwise.
4. The project specific specification-of-intent comprises of the documents listed on the cover sheet.
5. This project specification takes precedence over the BCA and the SAHC unless the BCA imposes higher levels of performance.
6. The scope of the SAHC is extended to the BCA class of the current building project subject to:
 - a) The SAHC shall not be used for the sizing of Structural members
7. All materials and workmanship shall be in accordance with the latest editions of the relevant Australian codes unless noted otherwise (uno).
8. The structural drawings shall be read in conjunction with these Construction Notes and associated drawings, and with such other written instructions as may be issued by the Engineer, during the course of construction.
9. All dimensions in millimetres(mm) unless noted otherwise.
10. The Contractor shall verify setting out dimensions shown on the drawings by measurement on site.
11. The structure has been designed to meet the requirements of the Code or Standard relevant to the facility in its in-service condition. During construction and prior to hand-over the Contractor shall, at all time, ensure that the structure is protected from over-stressing and instability due to any causes whatsoever.
12. Details of component parts of each structure are typical only. Where items are not detailed the contractor or fabricator shall use similar methods to those shown on the drawings.
13. The contractor shall provide all cleats and holes for fixing to steel, timber and other components as required by the engineering and architectural drawings whether or not shown.
14. All beams shall be fabricated and installed with natural camber up.
15. The quality characteristics of all materials and components used shall be verifiable against this specification upon request.

BASIS OF DESIGN

1. Structure Importance Level : 2 (Normal)
2. Design wind loading as noted on framing plans.
3. Design live loading : Roof = 0.25 kPa
4. A maximum allowable bearing pressure of 100kPa has been assumed.
5. Footings shall be placed centrally under walls and columns uno.
6. All variations from the design specification to be referred to the design engineer for approval before proceeding.

STRUCTURAL CONCRETE

1. Concrete quality shall be as tabulated, and verifiable

Concrete Element	Exposure Class'n	Class/Grade	Slump mm	Aggregate Size mm	Cement Type
Footing Piers & Pads	A2	N20	80	20	GP

STRUCTURAL STEELWORK

1. All shop and field welds shall be classification General-Purpose (GP) uno.
2. Continuous fillet weld (CFW) shall be the lesser of: – 3mm or the thickness of the thinner element joined.
3. Butt welds shall be complete penetration(CPBW) type.
4. Bolt designation: 4.6/S refer to commercial bolts grade 4.6, tightened using a standard wrench to a snug-tight condition.
5. All bolts shall be 4.6/S uno.
6. Bolts in slotted holes shall be "finger tight" and supplied with lock nuts.
7. Seal weld a 3mm plate to the ends of all hollow sections uno.
8. All damage to protective coatings as a result of transport, welding or other building operations shall be repaired in accordance with relevant codes as approved.
9. Welds to cold-formed sections shall be continuous fillet M.I.G. welds of a size equal to the thinnest section of the material joined, wire brushed and coated with zinc silicate paint.
10. Surface treatment and coating:

Element	Surface Treatment	Treatment or Coating
All steel fitments including Hold Down Bolts, Nuts & Washers, Cast-in steel items, external steelwork walkways & Hand-railing	. . Chemical Treatment Hot Dip Galvanising
All other steelwork	Grit blast to near white metal finish	Inorganic Zinc Silicate with average thickness 85 microns

SPECIFICATION-OF-INTENT

BUILDING APPROVAL

***MiScion Pty Ltd**
STRUCTURAL DESIGN
 www.miscion.com.au
 examples@miscion.com.au

*T/A Roy Harrison & Associates

Proposed Canopy
 --
 West Lakes Shore
 --
STRUCTURAL GENERAL NOTES (1)

DRAWN	LJS
DESIGNED	LJS
CHECKED	
SCALE	as shown DO NOT SCALE
SIZE	DRAWING NUMBER REVISION
A4	1798/G01 A

EXAMPLE
 Copyright 2016 MiScion Pty Ltd
 For Reference and Study Purposes Only.
 www.miscion.com.au
 examples@miscion.com.au
 9/03/2016

CAO FILE : C:\1798\General.dwg, 25/10/05

STRUCTURAL TIMBER

1. Items not explicitly described are to be to the requirements of AS1720 and AS1684.2 and the TDA construction guide for Carports, Verandahs & Pergolas.
2. Vertical Nail lamination to increase breadth of members to AS1684.2 clause 2.3
3. Posts and Rafters shall not be spliced.
4. Roof Battens shall be continuous spanned, and spliced to AS1684.2 clause 7.2.20
5. Ridge boards spliced in accordance with AS1684.2 clause 7.2.12.2
6. Fascia beams spliced at post supports.
7. Post anchorage:
 - a) Steel posts cast into concrete pier, full depth of pier less 100mm.
 - b) Timber posts: two Pryda PSQ600 post supports per post (Free Standing canopy)
 - c) Timber posts: one Pryda PSQ600 post support per post (attached canopy). Refer TDA guide Figure 3 for orientation.
 - d) Timber posts: one stirrup post support per post with knee braces to corners of canopy. Refer TDA guide page 4.
8. Post/Fascia Beam Connection: 2-M10 bolts.
9. Fascia/Rafter connection:
 - a) 5/ Ø2.8 Nails each side of rafter
 - OR b) Joist Hanger to Rafter : 5/ Ø2.8 Nails each side of rafter and Joist Hanger to Fascia: 5/ Ø2.8 Nails each side of rafter
10. Rafter/ Ridge Board connection: 5/ Ø2.8 Nails each side of rafter and 32x0.8 steel Strap over ridge with 6/Ø2.8 flat head Nails each end.
11. Collar-tie to rafter: 2M10 bolts + Ø22.5 washers each end for canopy spans less than 3m, increase to 3M10 bolts for canopy spans greater than 3m.
12. Structural form is a collar-tied roof truss, therefore collat ties required to all rafters, placed at 1/3 of the rise above fascia support.

ATTACHMENT OF CANOPY TO EXISTING STRUCTURE, AND STRENGTHENING OF EXISTING STRUCTURE

1. Beams not to overhang connection brackets, unless beams and house structure designed to suit.
2. Canopy Dimension to be a whole number multiple of the rafter spacing.
3. Extenda Brackets: Brackets to be fastened to rafter directly above house wall framing, else rafter stiffening to be provided.
4. Long Pergola brackets: Brackets not to extend beyond house fascia more than 150mm
5. Joist hangers: Fascia to rafter connection to be strengthened using Pryda Fascia support bracket.
6. Fabricated brackets as detailed to achieve full support of canopy at beam ends, and house corners.
7. Posts to be provided at hip corners.
8. Minimum house structure:
 - a) Rafters : 120x35 F5 not notched more than 40mm (Not greater than 600 c/c for tiled roof, not greater than 1200 c/c for sheet roof)
 - b) Fascia : 190 x 19
8. Rafter Stiffener to all rafters supporting connection brackets. Minimum length of stiffener as specified or full length of rafter, which ever is the lesser. Timber stiffeners fixed to rafters with 2/ Ø3.06 x 75 long nails at 150 centres. Rafter Backspan support connection to be strengthened with 1/30x0.8 steel strap AS1684.2-1999 Table 9.22, detail (b) unless bolted connection present.
9. Tie-downs to all rafters supporting connection brackets, exceptions as noted.
10. Type-1 Tie-Down: 1/30x0.8 steelstrap over rafter, 1M10 bolt each end to added steelwork.
11. Type-2 Tie-Down: 1/30x0.8 steel strap looped around Ø10 rod epoxy doweled to brickwork; minimum of 1.2m wide x 12 courses high of brickwork above anchor point. Strap fastened to rafter with 3/Ø2.8 nails each end.
12. Type-3 Tie-Down: Duragal angle 30x30x2.5 CA, 1M10 bolt top to rafter, bottom anchored above 2nd course of brickwork from bottom of wall, minimum of 1.2m wide x fullheight brickwork above anchor point free from openings.
13. Type-4 Tie-Down: M10 threaded steel rod, welded to 40x40x2 SHS C350LO tube at lower end. Tube sealed each end with 5 PL end plates. Bottom anchored above 2nd course of brickwork from bottom of wall, minimum of 1.2m wide x fullheight brickwork above anchor point free from openings. Top bolted through bottom flange of added steel z-lintels, or over batten as required.
14. For openings upto 2.4m wide install Prydabeam PB1.4 z-section. Beam to extend to first stud each side of opening, fasten to manufacturers instructions. Install Type-4 tie-downs to each end of lintel, anchor point to be centre of 1.2m width of brickwork. Ensure 2.4m width of brickwork between adjacent openings.
15. Multiple rafters maybe tied-down by the use of one Type-4 Tie-down to each end of an over batten (35x70 F7). Threaded end of tie-down to pass through batten no more than 50mm from side of rafter support. Each rafter to be strapped to over batten. Tie-downs at no more than 2.4m centres, each anchored into 1.2m width of fullheight brickwork.
16. If inadequate brickwork to install Type-2 tie-downs then Type-4 tie-downs with over battens shall be used. Over batten positioned to achieve required area of brickwork for Type-4 tiedowns.
17. Canopies not to be attached to light weight timber framed construction. Additional posts and piers to be provided adjacent to house.
18. Fascia plates to be bolted to house gable end walls only, using M10 dynabolts at 600 c/c, staggered vertically. Minimum of 2m rise of gable end above fascia at location of ridge, else tie fascia plate to bottom of wall using Ø10 steel rods at 2.4m centres.

SPECIFICATION-OF-INTENT

BUILDING APPROVAL

***MiScion Pty Ltd**
STRUCTURAL DESIGN

www.miscion.com.au
examples@miscion.com.au

*T/A Roy Harrison & Associates

Proposed Canopy

--
West Lakes Shore

--
STRUCTURAL
GENERAL NOTES (2)

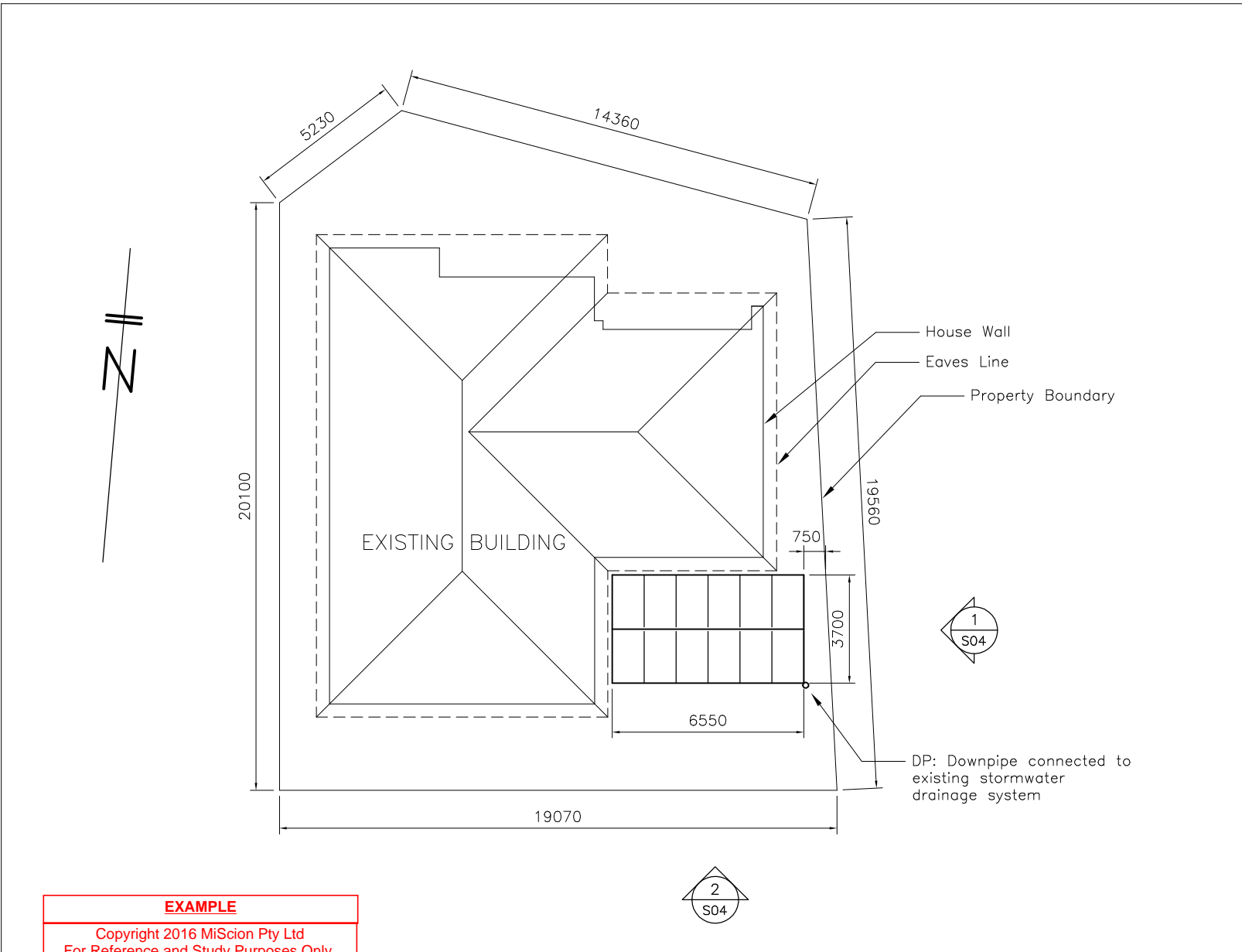
DRAWN	LJS	
DESIGNED	LJS	
CHECKED		
SCALE	as shown	DO NOT SCALE
SIZE	DRAWING NUMBER	REVISION
A4	1798/G02	A

EXAMPLE

Copyright 2016 MiScion Pty Ltd
For Reference and Study Purposes Only.
www.miscion.com.au
examples@miscion.com.au
9/03/2016

SPECIFICATION-OF-INTENT

- NOTES
- 1) Site dimensions are approximate only. Fabricator and Builder shall confirm all dimensions before commencing work.
 - 2) Eaves overhang assumed to be 600mm from face of wall to fascia, measured on plan.
 - 3) Area of proposed canopy: 24m²



EXAMPLE

Copyright 2016 MiScion Pty Ltd
 For Reference and Study Purposes Only.
www.miscion.com.au
examples@miscion.com.au
 9/03/2016

SITE PLAN
1:200

Development Approval

***MiScion Pty Ltd**
STRUCTURAL DESIGN

www.miscion.com.au
examples@miscion.com.au

*T/A Roy Harrison & Associates

Proposed Canopy

West Lakes Shore

STRUCTURAL
 SITE PLAN

DRAWN LJS

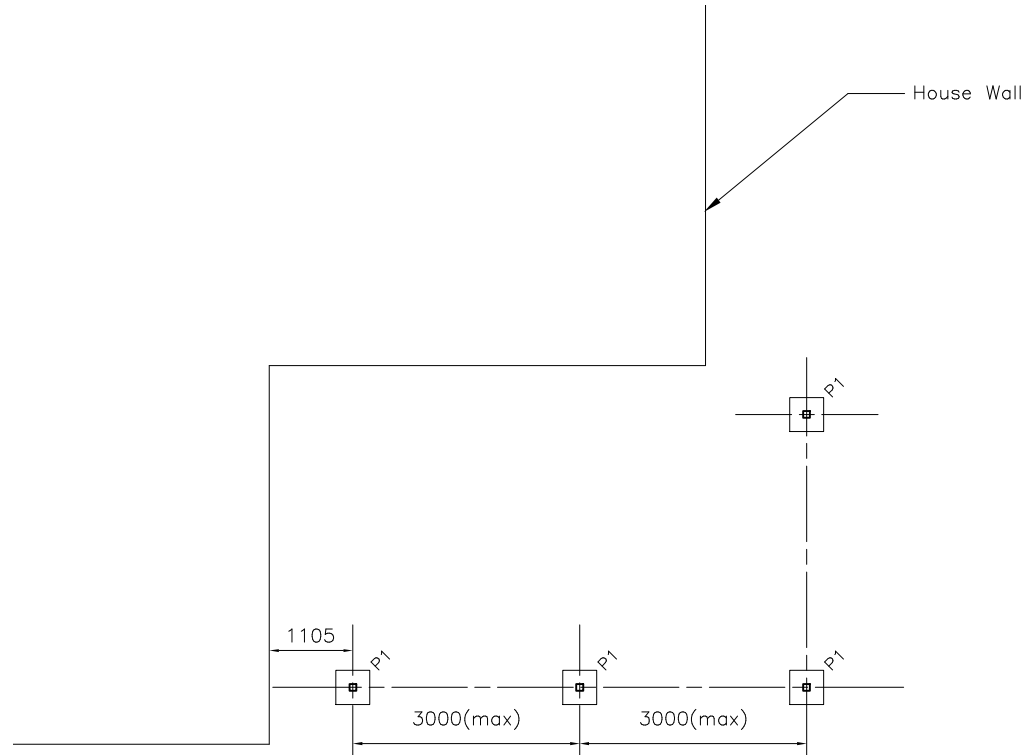
DESIGNED LJS

CHECKED

SCALE as shown DO NOT SCALE

SIZE	DRAWING NUMBER	REVISION
A4	1798/S01	A

CAD FILE: c:\1798\Struct\dwg Wed 12 Oct 2005 14:48



CONCRETE FOOTING SCHEDULE	
COLUMN C1	
P1	P1: 450x450x600 DEEP CONCRETE PIER

FOOTING LAYOUT
1:100

EXAMPLE

Copyright 2016 MiScion Pty Ltd
For Reference and Study Purposes Only.
www.miscion.com.au
examples@miscion.com.au
9/03/2016

Development Approval

***MiScion Pty Ltd**
STRUCTURAL DESIGN

www.miscion.com.au
examples@miscion.com.au

*T/A Roy Harrison & Associates

Proposed Canopy
--
West Lakes Shore
--
STRUCTURAL
FOOTING PLAN

DRAWN	LJS	
DESIGNED	LJS	
CHECKED		
SCALE	as shown	DO NOT SCALE
SIZE	DRAWING NUMBER	REVISION
A4	1798/S02	A

EXAMPLE

Copyright 2016 MiScion Pty Ltd
 For Reference and Study Purposes Only.
 www.miscion.com.au
 examples@miscion.com.au
 9/03/2016

SCHEDULE OF MATERIALS			
MEMBER	MARK	SIZE	DWG
BRACKETS	BK1	LONG PERGOLA BRACKET	--
STIFFENERS	ST	2 / 90 x 45 F7	--
TIE-DOWNS	TD1	30 x 0.8 STRAP	--
	TD2	30x30x2.5 CA Duragal Angle	--
PURLINS	PU	45 x 70	--
OVER BATTEN	B1	35 SHS 1.6 C450L0 Duragal	--
POSTS	PS	90 x 90 MGP10	--
FASCIAS	FB1	190 x 45 MGP10	--
RIDGE BOARD	RB	190 x 35 MGP10	--
RAFTERS	RA	140 x 45 MGP10	--
COLLAR-TIE	CT	120 x 35 MGP10	--

SPECIFICATION-OF-INTENT

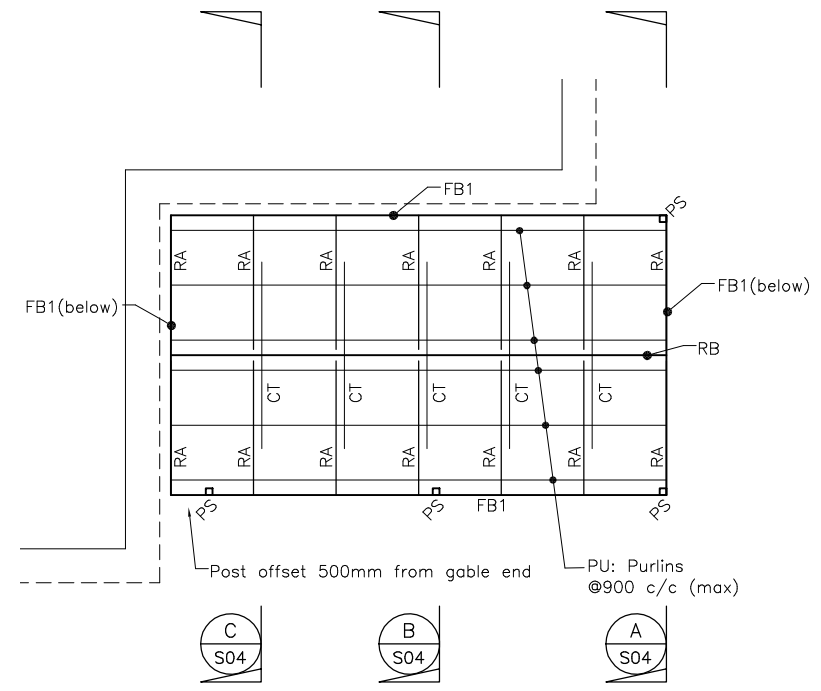
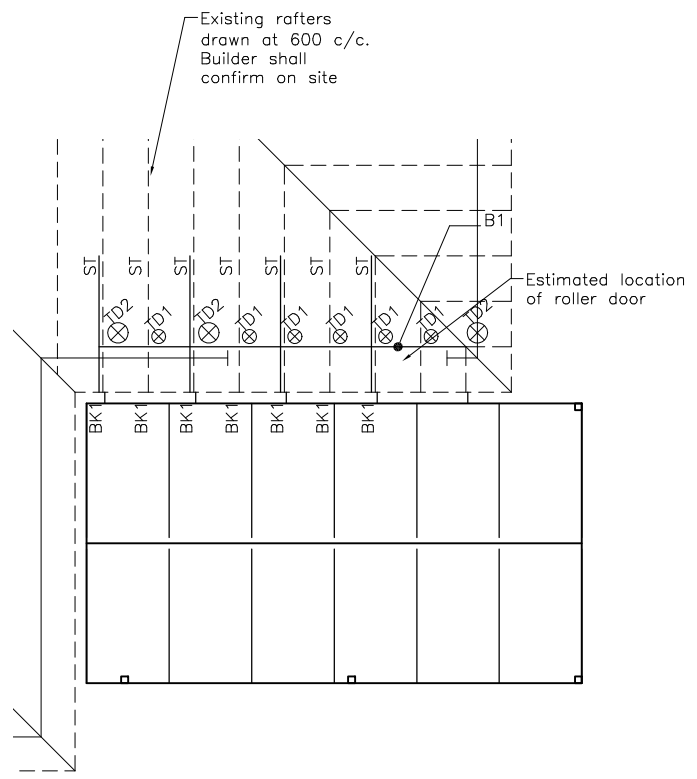
Development Approval

***MiScion Pty Ltd**
 STRUCTURAL DESIGN
 www.miscion.com.au
 examples@miscion.com.au

*T/A Roy Harrison & Associates

Proposed Canopy
 --
 West Lakes Shore
 --
STRUCTURAL FRAMING PLAN

DRAWN	LJS
DESIGNED	LJS
CHECKED	
SCALE	as shown DO NOT SCALE
SIZE	DRAWING NUMBER REVISION
A4	1798/S03 A

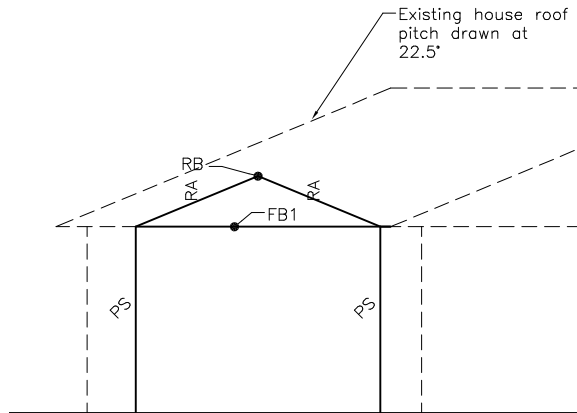


HOUSE FRAME STRENGTHENING
 1:100

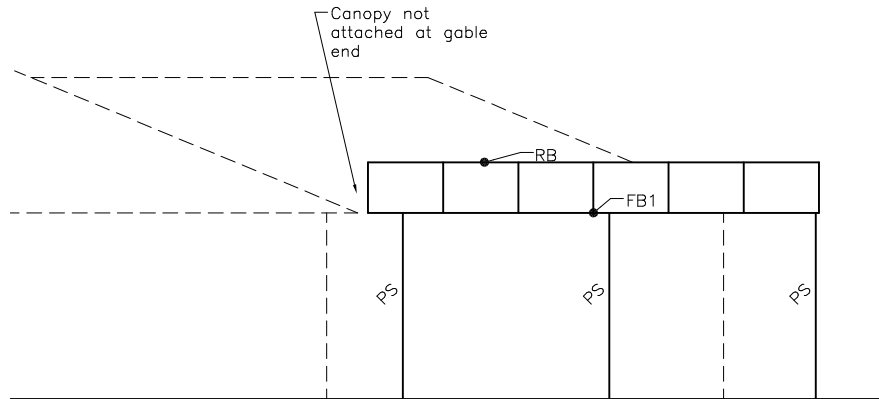
FRAMING PLAN
 1:100

CAD FILE: c:\1798\Struct\dwg Wed 12 Oct 2005 14:48

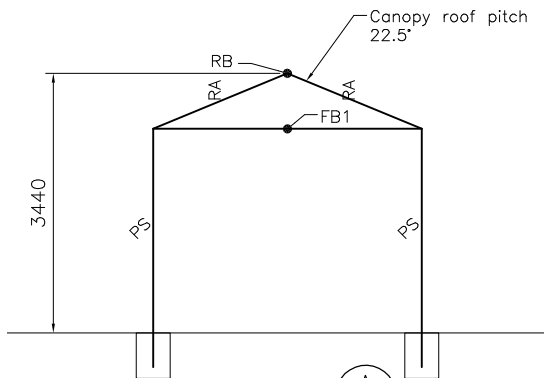
CAD FILE : c:\798\Struct\dwg Wed 12 Oct 2005 14:48



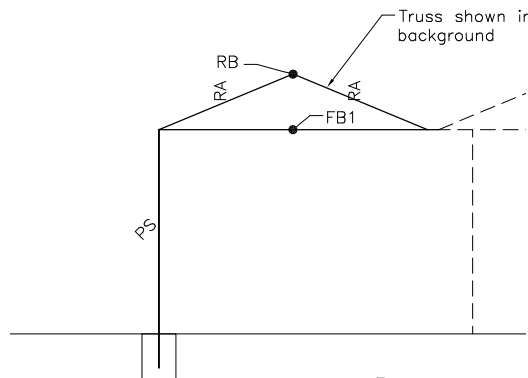
ELEVATION 1
S01
1:100



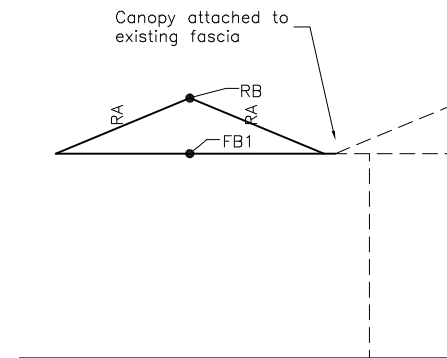
ELEVATION 2
S01
1:100



SECTION A
S03
1:100



SECTION B
S03
1:100



SECTION C
S03
1:100

EXAMPLE

Copyright 2016 MiScion Pty Ltd
For Reference and Study Purposes Only.
www.miscion.com.au
examples@miscion.com.au
9/03/2016

SPECIFICATION—OF—INTENT

Development Approval

***MiScion Pty Ltd**
STRUCTURAL DESIGN

www.miscion.com.au
examples@miscion.com.au

*T/A Roy Harrison & Associates

Proposed Canopy

West Lakes Shore

STRUCTURAL
ELEVATIONS (3)

DRAWN LJS

DESIGNED LJS

CHECKED

SCALE as shown DO NOT SCALE

SIZE	DRAWING NUMBER	REVISION
A4	1798/S04	A